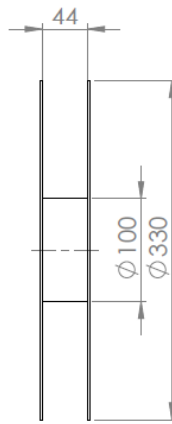
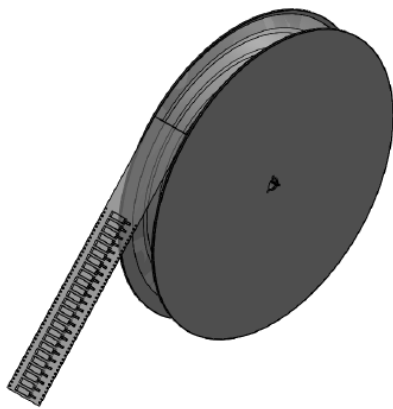
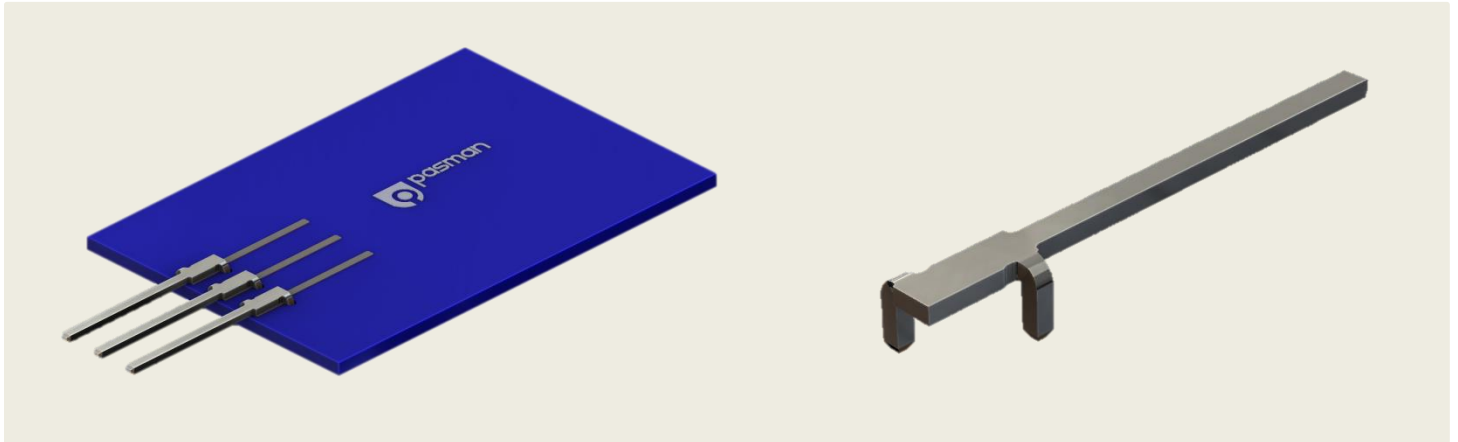
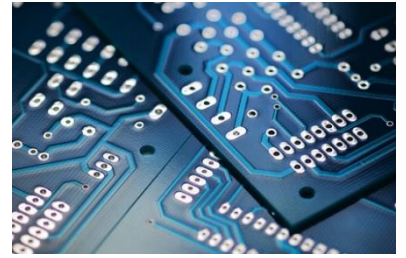
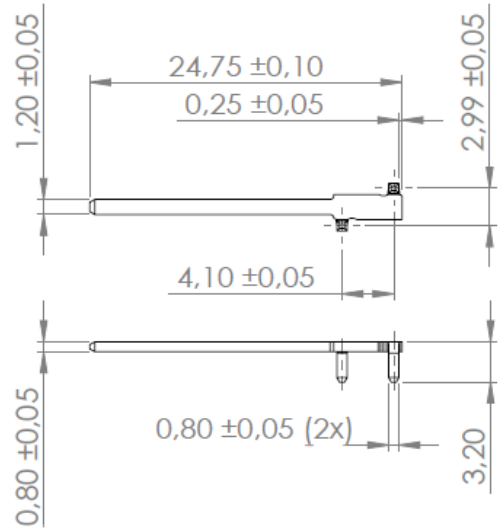


Contact mâle CI « TIC »

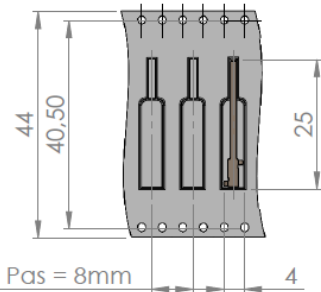


Reel detail
Scale : 1:5



DETAIL VIEW OF BLISTER TAPE
Scale : 1:1

Scrolling direction →



MATERIALS AND FINISHES :

- Contact : Brass alloy, 2 - 4 µm electrolytic nickel plated.
- Carrier tape : Black conductive PS
- Cover tape : heat activated antistatic PET

PART QUANTITY :

- 2000 max parts per reel