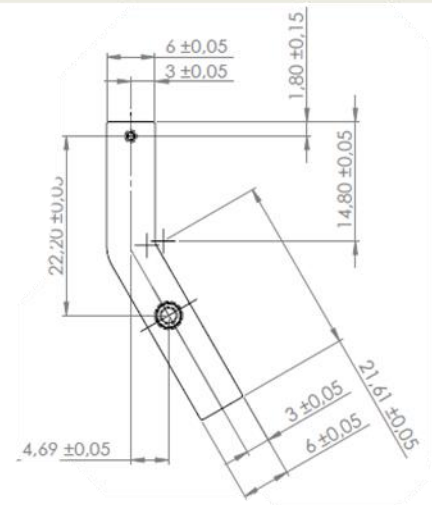
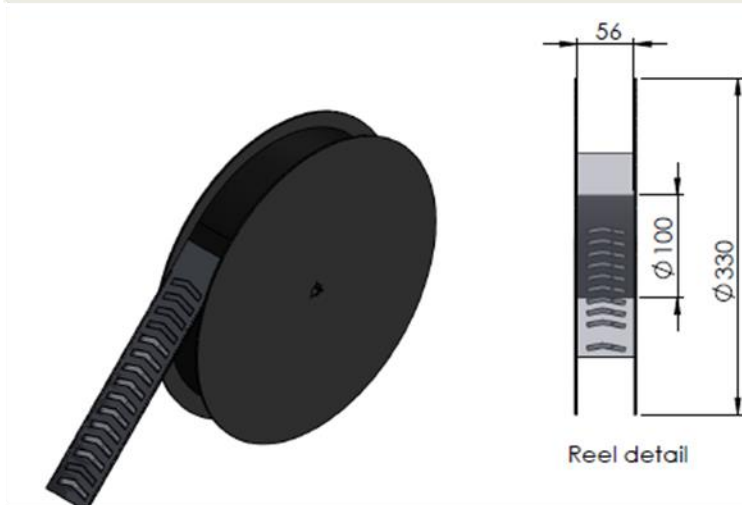
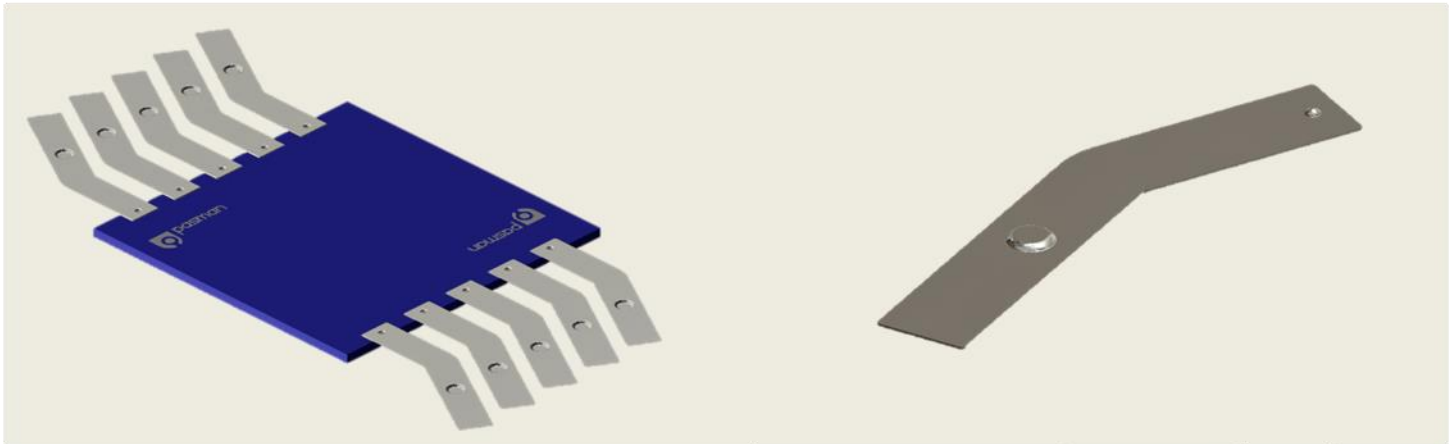
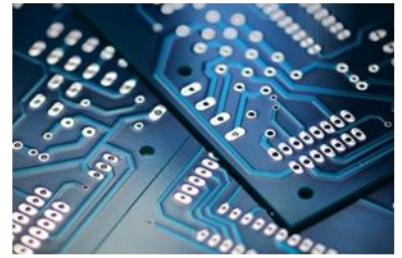
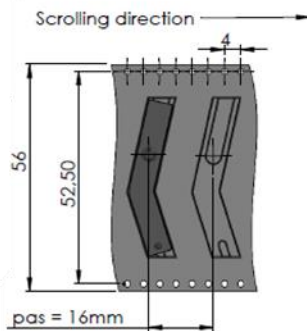


Contact CI languette coudé



DETAIL VIEW OF CARRIER TAPE



MATERIALS AND FINISHES :

- Contact : Tempered steel DC03, 2 - 4 μ m electrolytic nickel plated
- Carrier tape : black conductive PS
- Cover tape : heat activated antistatic PET

PART QUANTITY :

- 2200 max parts per reel

