

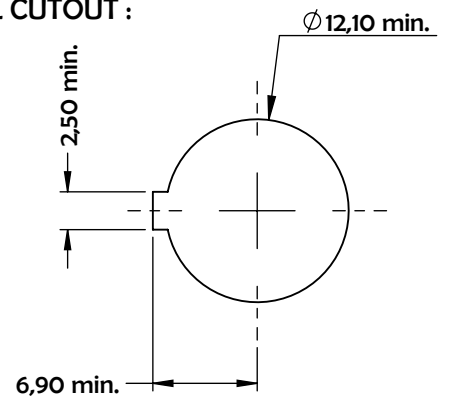
MATERIAL & FINISHES :

- Body : PA11 RILSAN
- Nut : Aluminum or PA
- Contacts and tags : Copper alloy pur tin plated
- Spring : Bronze

TECHNICAL CHARACTERISTICS :

- 2 000 V
- Compatible with all Ø12 DYNA head light
- Panel thickness : 1 to 4 mm.
- Available in waterproof version with O-ring

PANEL CUTOUT :



Estimated weight : 3,50 g

This information is given as an indication. In the continual goal to improve our products, we reserve the right to make any modifications judged necessary.

DIMENSIONS : mm [inch are given for information only]

| CREATION | | | | |
|-----------------------|-------|-----------|------|----------|
| PROJET : DYNA | | | | |
| NAME : CHEVREAU M. | | | | |
| DATE : Jun 15th, 2021 | | | | |
| APPR : VAN DER MEE M. | | | | |
| | Issue | Revisions | Name | Approved |

This document is the property of PASMAN. It cannot be reproduced or communicated to a third party without a prior written permission.