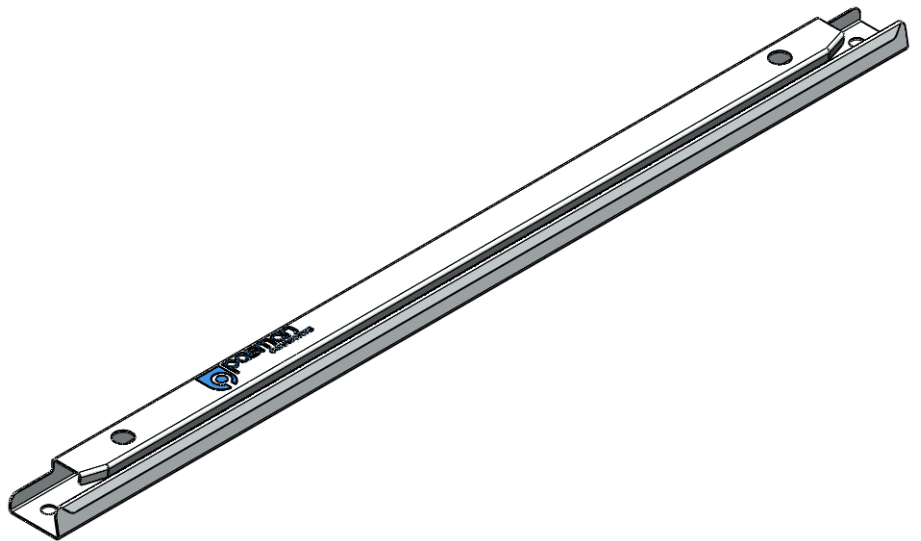
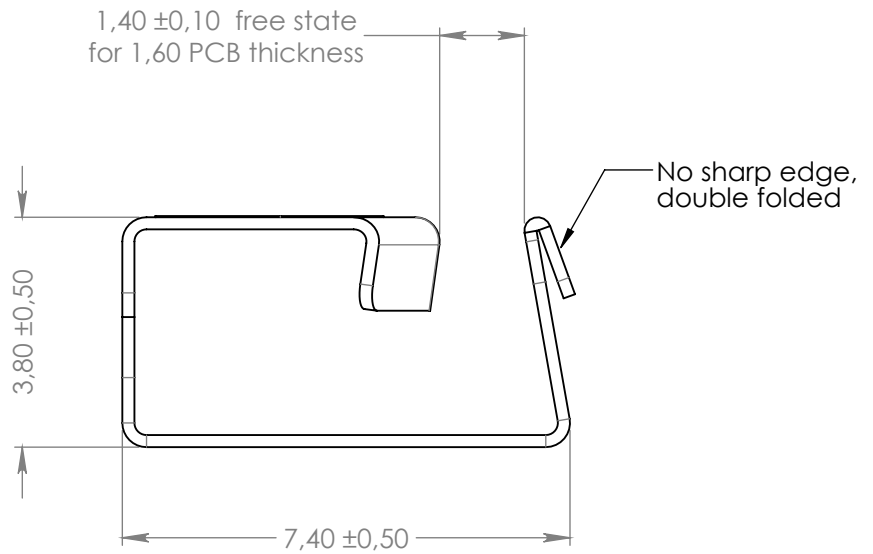
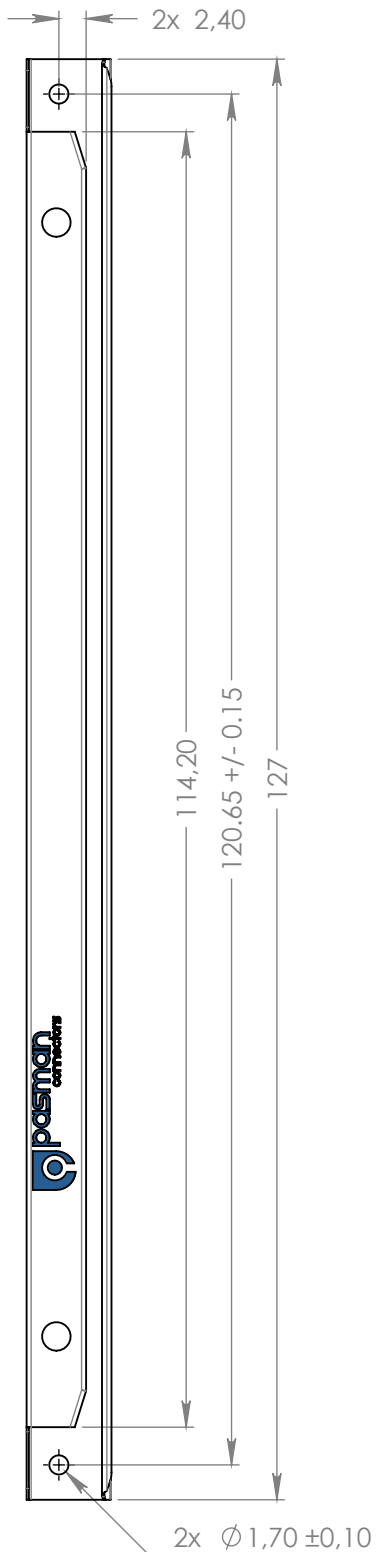


This information is given as an indication in the continual goal to improve our products, we reserve the right to make any modifications judged necessary.



Material & finish :

CuBe2, Chrome over nickel plated

Estimated weight : 2,03 g

DIMENSIONS : mm [inch are given for information only]

CREATION

PROJET : 023 - Guide carte

NAME : VAN DER MEE M.

DATE : Oct 19th, 2015

APPR : CHEVREAU M.

Issue	Revisions	Name	Approved
Oct 06, 2016	Dimensional update 7,60 +/-0,50=> 7,40 +/-0,50, adition of +/-0,10 for 1,40	CHEVREAU M.	VAN DER MEE M.
July 19, 2016	Addition of tolerances +/- 0,15 for 120,65, +/- 0,10 for diam. 1,70	CHEVREAU M.	VAN DER MEE M.
Oct 19, 2015	Zink Nickel => Chrome II on Nickel	CHEVREAU M.	VAN DER MEE M.

This document is the property of PASMANT. It cannot be reproduced or communicated to a third party without a prior written permission.

www.pasman.fr