

Series  
**AH**

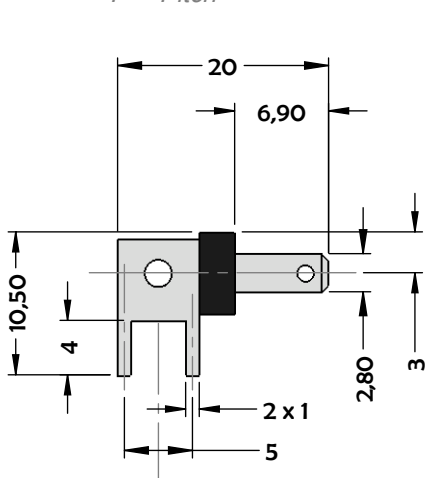
**2,80 x 0,50 faston tags terminal blocks  
for PCB mounting**

Issue :  
Jun 09th, 2017

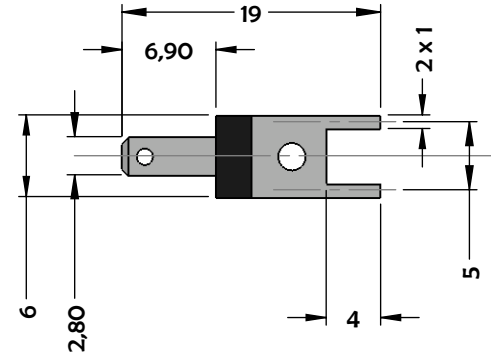
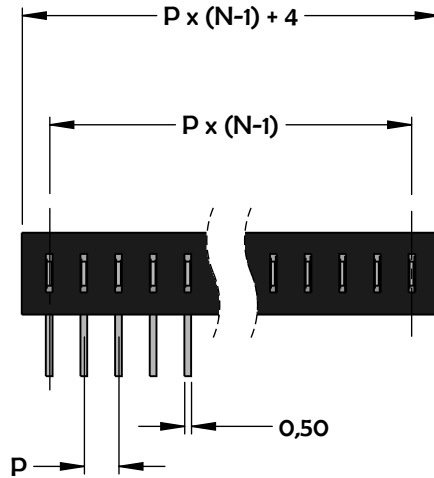
Page  
**1/1**



NOTES : N → nb of contacts  
P → Pitch

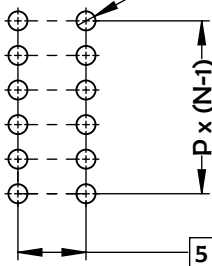


**PS AH ### R ##**

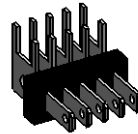


**PS AH ### S ##**

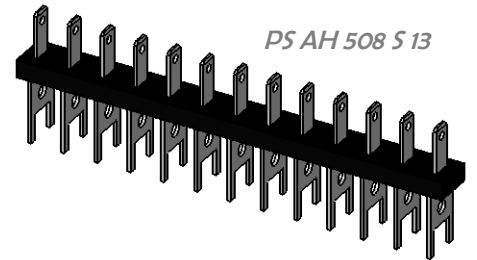
PC GRID PATTERN :  $\phi 1,40$  min.



*PS AH 254 R 05*

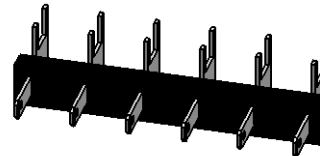


*PS AH 508 S 13*



**MATERIALS & FINISHES :**

- Insulating body : Thermoplastic UL 94 V0
- Contacts : brass, pur tin plated



*PS AH 762 R 06*

**TECHNICAL CHARACTERISTICS :**

- Nominal voltage : 250 V
- Nominal current : 25 A

**HOW TO ORDER :**

**PS AH ### # ##**

- 254 → Pitch 2.54
- 508 → Pitch 5.08
- 762 → Pitch 7.62

- Number of contact  
01 to 25 with 2.54 pitch  
01 to 13 with 5.08 pitch  
01 to 09 with 7.62 pitch

- R → Right angle PC tail contacts
- S → Straight PC tail contacts

DIMENSIONS : mm [inch are given for information only]



**CREATION**

PROJET :  
NAME : CHEVREAU M.  
DATE : Jun 09th, 2017  
APPR : VAN DER MEE M.

Issue	Revisions	Name	Approved

This document is the property of PASMAN. It cannot be reproduced or communicated to a third party without a prior written permission.

This information is given as an indication. In the continual goal to improve our products, we reserve the right to make any modifications judged necessary.